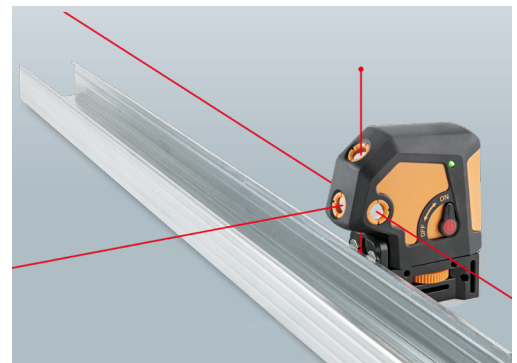
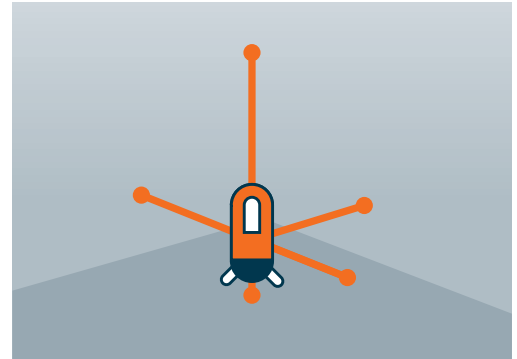


Geo5P 5-Point Laser

Five directions



TECHNICAL DATA		FEATURES	SUPPLIED WITH GEO5P
Self-levelling range	± 3.5°	<ul style="list-style-type: none"> · 5 laser dots (up, down, forward, left, right) · Out-of-level alarm · Multi-functional mount with <ul style="list-style-type: none"> · strong magnets for optimal use at drywall construction rails · can be fixed to a wall (magnetic or screw hanging) · strap attachment · Transport lock · 1/4" and 5/8" tripod thread 	ART.-NO. 555050 <ul style="list-style-type: none"> · Multi-functional mount · Magnetic target · 3 x AA Alkaline battery · Padded carrying bag
Accuracy	± 2 mm / 10 m		
Working range	30 m*		
Laser diode / laser class	635 nm / 2		
Power supply	3 x AA Alkaline		
Operating time	20 h		
Temperature range	-10 °C to +50 °C		
Dust / water protection	IP 54		
Weight (instrument only)	0.5 kg		
	* depending on room illumination		